

SPDT 50GHz Terminated Failsafe / Latching

◆ RF Characteristics

Frequency (GHz)	Ins.loss (dB)	Isolation (dB)	VSWR	RF Power CW (W)
DC-6	0.3	70	1.3	40
6-12	0.4	60	1.4	30
12-18	0.5	55	1.5	25
18-26.5	0.6	50	1.6	12
26.5-32	0.8	50	1.8	8
32-40	0.9	50	1.9	5
40-43	1.0	50	2.0	4
43-50	1.1	50	2.1	3

◆ Operating Voltage/Coil Current

Operating Voltage(V)	12	24	28
Coil Current (mA)	Failsafe 350	200	180
	Latching 400	200	185

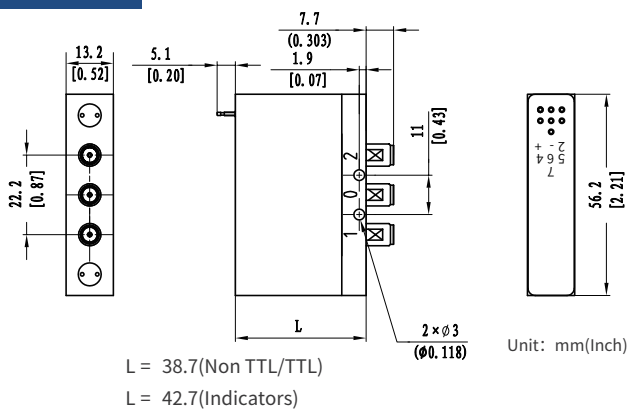
* It can be selected according to user requirements

TTL	TTL Low(V)	TTL High	
	0-0.3	3~5V	20mA
指示端 Indicators	Withstand Voltage V (max)	Current capacity mA (max)	Resistance Ω (max)
	50	100	15

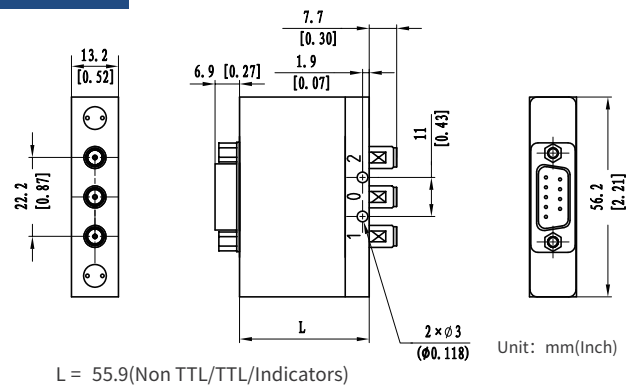
* Connect VDC&GND before the function operates

◆ Outline Drawing

Solder Pins



D-SUB Male



◆ Product Functions

- DC to 50GHz
- Low loss, Low VSWR, High Isolation
- 1.85 Connector
- Selectable TTL driver control

◆ Specifications

Switching Sequence: Break before Make

Switching Time: 15ms max

Storage temperature: -55°C~85°C

Operating temperature: -25°C~65°C(Standard)
-45°C~85°C(Extended1)
-55°C~85°C(Extended2)

Mechanical Life Cycles: 2 million cycles

RF Connectors: 1.85 Female

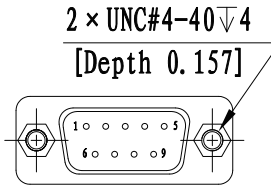
Impedance: 50Ω

Mechanical Shock,Non-Operating: 50G、1/2 Sine、11 ms

Vibration Operating: 20-2000 Hz、10G RMS

Actuator Terminals: Solder Pins/D-SUB 9Pin Male

Weight: 75g



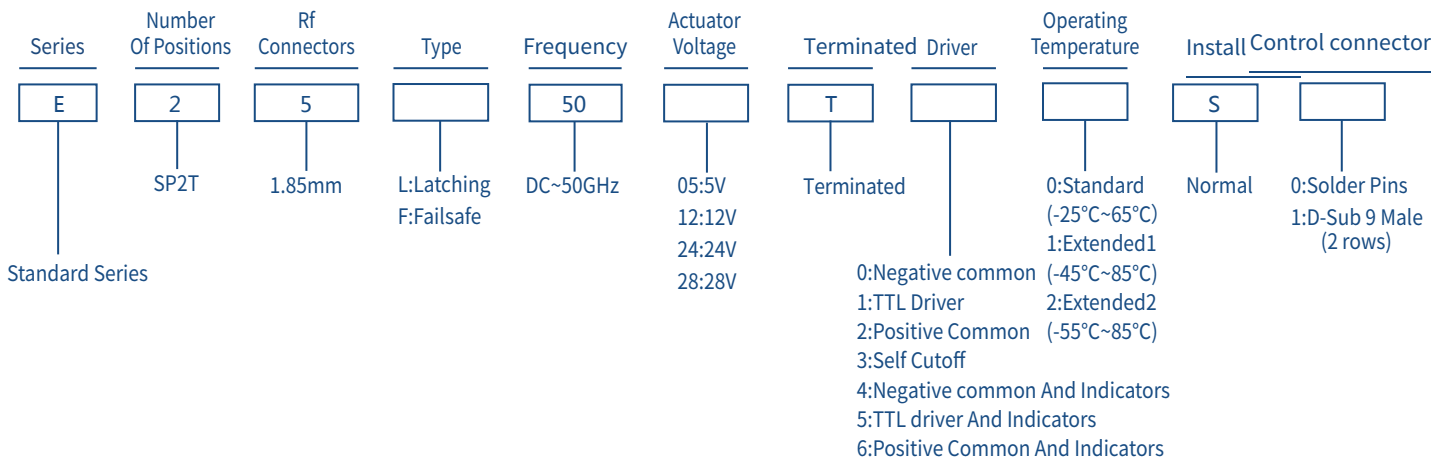
DB9 male

◆ Truth Table

Failsafe Non TTL			Failsafe TTL		
Actuator Terminals		RF Connector	Actuator Terminals		RF Connector
Solder Pins/D-SUB 9Pin Male			Solder Pins/D-SUB 9Pin Male		
Pin No.	Define	No Power,RF 1-0	Pin No.	Define	No Power,RF 1-0
1	V	RF 2-0	1	VDC	RF 2-0
2	N/A	-	2	TTL	-
3	GND	-	3	GND	-
4	Ind.1	RF 1-0	4	Ind.1	RF 1-0
5	Ind.2	RF 2-0	5	Ind.2	RF 2-0
6	Ind.com	-	6	Ind.com	-
7	VDC	-	7~9	N/A	-
8~9	N/A	-			

Latching Non TTL			Latching TTL		
Actuator Terminals		RF Connector	Actuator Terminals		RF Connector
Solder Pins/D-SUB 9Pin Male			Solder Pins/D-SUB 9Pin Male		
Pin No.	Define	-	Pin No.	Define	-
1	V1	RF 1-0	1	VDC	-
2	V2	RF 2-0	2	TTL	RF 1-0
3	GND	-	3	GND	-
4	Ind.1	RF 1-0	4	TTL	RF 2-0
5	Ind.2	RF 2-0	5	Ind.1	RF 1-0
6	Ind.com	-	6	Ind.2	RF 2-0
7	VDC	-	7	Ind.com	-
8~9	N/A	-	8~9	N/A	-

◆ Product Selection



★ EXP: E25L5005T00S0: Standard Series, SP2T, 1.85mm, Latching, DC~50GHz, 5V, Terminated, Negative common, Standard, Normal, Solder Pins.