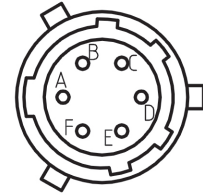
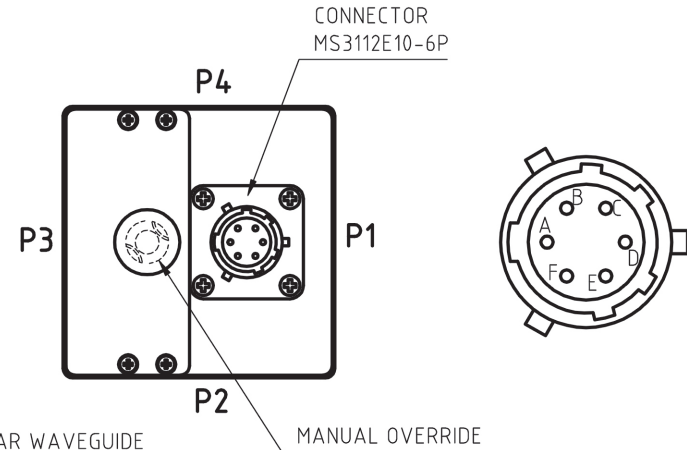
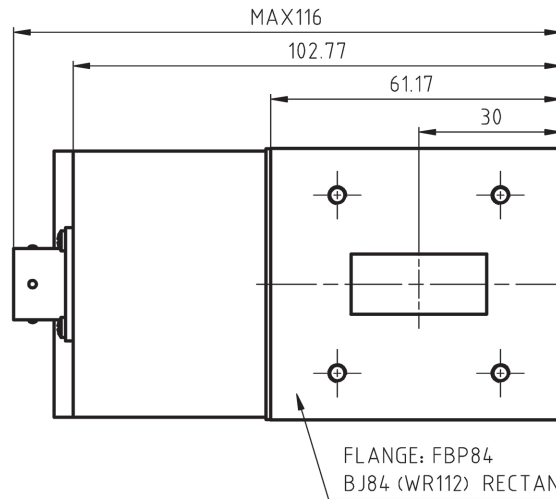
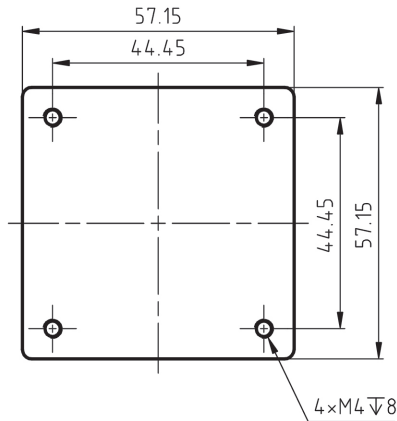


# BJ84(WR122) WAVEGUIDE SWITCH



## SPECIFICATION

FREQ RANGE: 7.05GHz--10.0GHz

VSWR:  $\leq 1.10$

INSERTION LOSS:  $\leq 0.10$ dB

ISOLATION:  $\geq 60$ dB

SWITCHING TIME:  $\leq 50$  mS

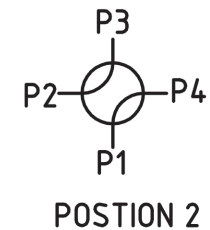
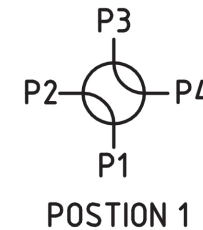
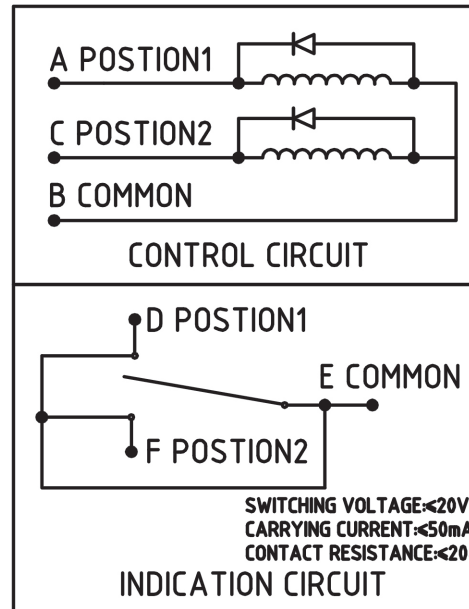
VOLTAGE: 24VDC, DURATION  $\geq 50$  mS

CURRENT:  $\leq 625$ mA @ (24VDC, 25 $^{\circ}$ C)

WORKING TEMPERATURE: -40 $^{\circ}$ C--70 $^{\circ}$ C

LIFE: 100,000 CYCLES

CONTROL MODE: LATCHING, MANUAL/ELECTRIC



EXCITATION AND SWITCH STATUS
A VDC, B GND, D-E CONNECTED, POSTION 1
C VDC, B GND, F-E CONNECTED, POSTION 2

Model: FBP84DB2401