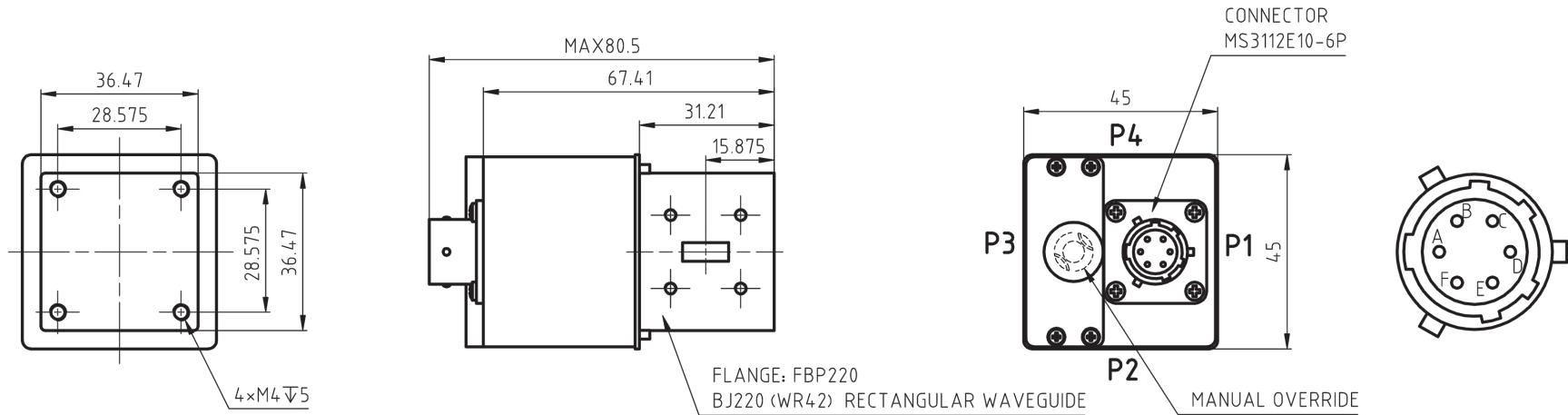
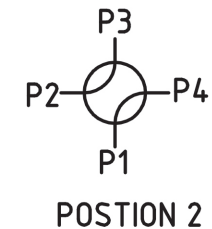
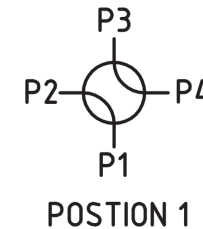
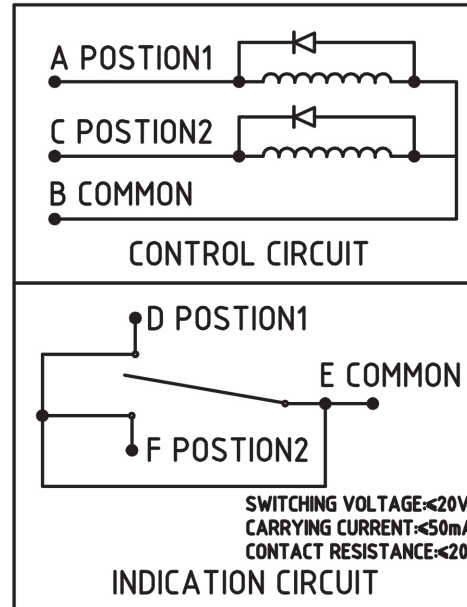


# BJ220(WR42) WAVEGUIDE SWITCH



## SPECIFICATION

FREQ RANGE: 18.0GHz--26.5GHz  
 VSWR:  $\leq 1.10$   
 INSERTION LOSS:  $\leq 0.10$ dB  
 ISOLATION:  $\geq 60$ dB  
 SWITCHING TIME:  $\leq 50$  mS  
 VOLTAGE: 24 VDC, DURATION  $\geq 50$  mS  
 CURRENT:  $\leq 625$ mA@ (24 VDC, 25 $^{\circ}$ C)  
 WORKING TEMPERATURE: -40 $^{\circ}$ C--70 $^{\circ}$ C  
 LIFE: 100,000 CYCLES  
 CONTROL MODE: LATCHING, MANUAL/ELECTRIC



EXCITATION AND SWITCH STATUS
A VDC, B GND; D-E CONNECTED; POSTION 1
C VDC, B GND; F-E CONNECTED; POSTION 2

Model: FBP220DB2401