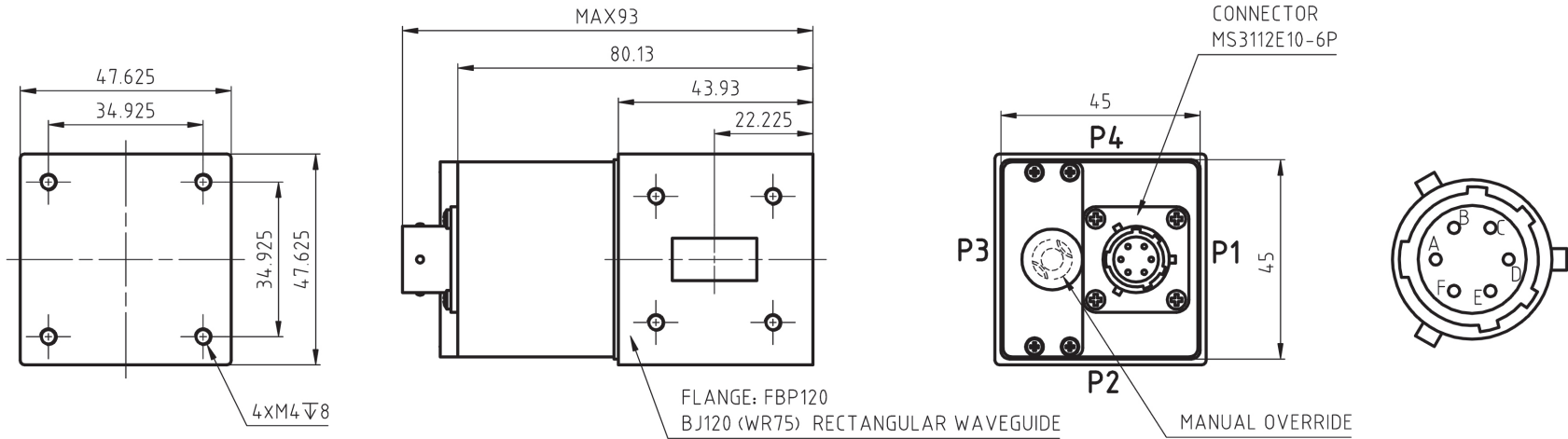
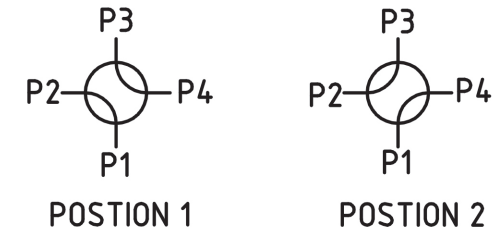
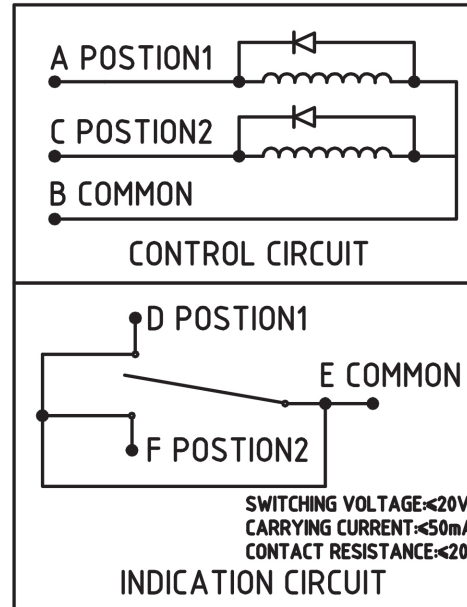


# BJ120(WR75) WAVEGUIDE SWITCH



## SPECIFICATION

FREQ RANGE: 10.0GHz--15.0GHz  
 VSWR:  $\leq 1.10$   
 INSERTION LOSS:  $\leq 0.10$ dB  
 ISOLATION:  $\geq 60$ dB  
 SWITCHING TIME:  $\leq 50$  mS  
 VOLTAGE: 24 VDC, DURATION  $\geq 50$  mS  
 CURRENT:  $\leq 625$ mA @ (24 VDC, 25°C)  
 WORKING TEMPERATURE: -40°C--70°C  
 LIFE: 100,000 CYCLES  
 CONTROL MODE: LATCHING, MANUAL/ELECTRIC



EXCITATION AND SWITCH STATUS	
A VDC, B GND;	D-E CONNECTED; POSTION 1
C VDC, B GND;	F-E CONNECTED; POSTION 2

**Model:FBP120DB2401**