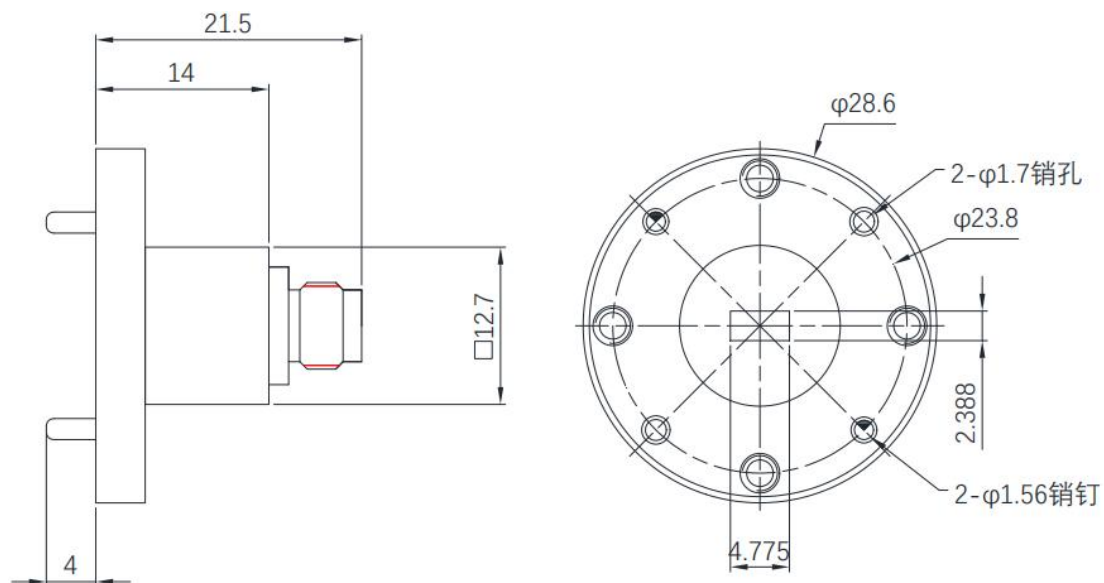


Waveguide to Coaxial Adapter BT185FWR19A

1. Technical Specifications

Frequency Range	40~60GHz
VSWR	≤ 1.25
Insertion Loss	$\leq 0.5\text{dB}$
Waveguide Type	WR19/BJ500
Flange Type	UG-383/U
Coaxial Connector	1.85mm-Female
Surface Finish	Gold-plated Brass

2. Outline Dimensions (Unit: mm)



3. Test Curve

