

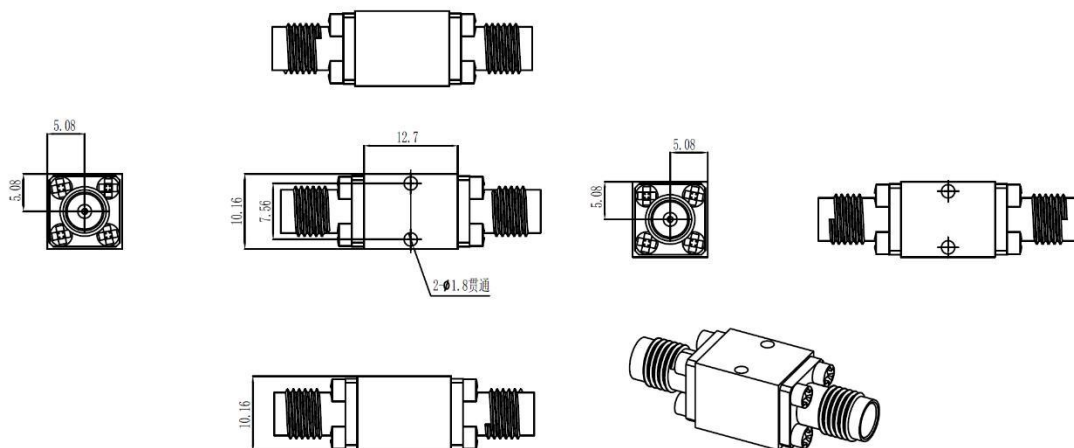
# Detector

## MX-PD-2044-P

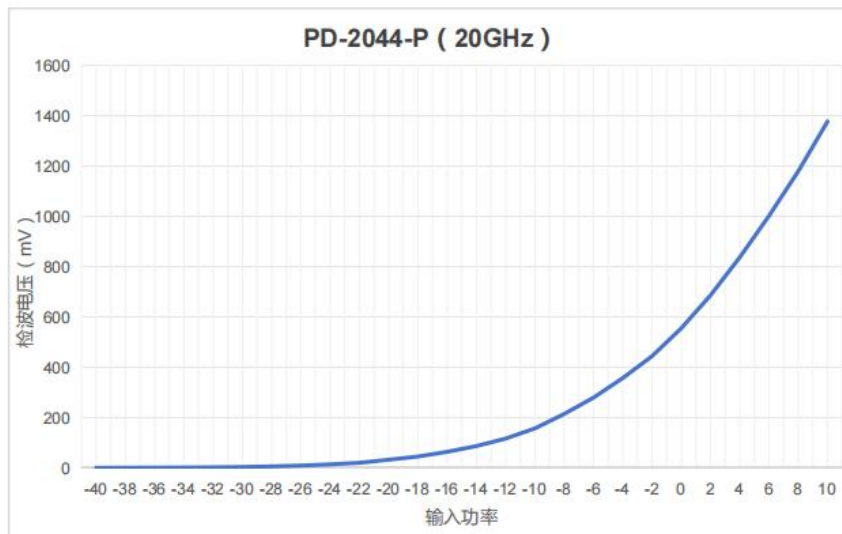
### 1. Technical Specifications(25°C)

Parameter	Min.	Typ.	Max.	Unit
Frequency Range	20	-	40	GHz
Input Return Loss	-	-10	-	dB
Detector Sensitivity	-	3000	-	mV/mW
Response Time	-	5	-	ns
Maximum Input Power	-	10	-	dBm
RF Input Connector	2.92mm Female(Male is optional)	-	-	-
DC Output Connector	SMA Female	-	-	-

### 2.Outline Dimensions (Unit: mm)



### 3. Test Curve



Input Power (dBm)	Detector Output Voltage (mV)	Detected Power (dBm)
-40	0.4	-67.95880017
-38	0.6	-64.43697499
-36	1	-60
-34	1.5	-56.47817482
-32	2.3	-52.76544328
-30	3.7	-48.63596552
-28	5.9	-44.58295977
-26	9.2	-40.72424345
-24	14	-37.07743929
-22	20.3	-33.85007924
-20	32.5	-29.76233278
-18	45.2	-26.8972313
-16	63.9	-23.88998284
-14	86.8	-21.2296055
-12	116.6	-18.66602899
-10	157.1	-16.0764763
-8	214.5	-13.37145407
-6	279.2	-11.08169172
-4	357	-8.946635678
-2	444	-7.052340598
0	555	-5.114140338
2	686	-3.273517686
4	837	-1.54549084
6	1002	0.017354431
8	1179	1.430276102
10	1377	2.778678805