

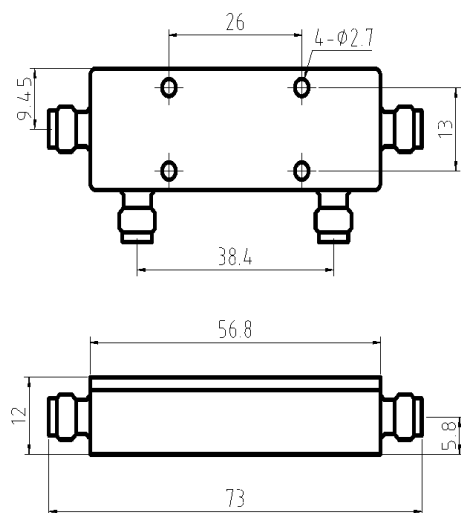
Dual Directional Bridge Coupler

DQ421740

1. Technical Specifications

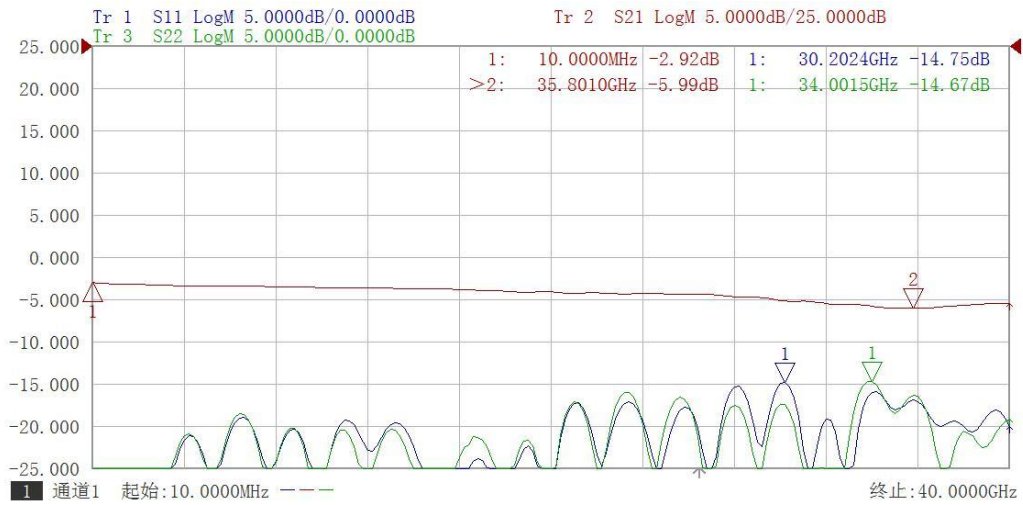
Frequency Range	1MHz~40GHz
Insertion Loss	≤6.5dB (Typ. 5.5dB)
Return Loss	≥12dB
Coupling	16dB ±1.5dB
Coupling Flatness	±1.5dB
Directivity	≥15dB Typ.20dB (Isolation - Coupling)
Power Handling	1W
Connectors	2.4mm-Female
Surface Finish	Nickel-plated

2.Outline Dimensions (Unit: mm)

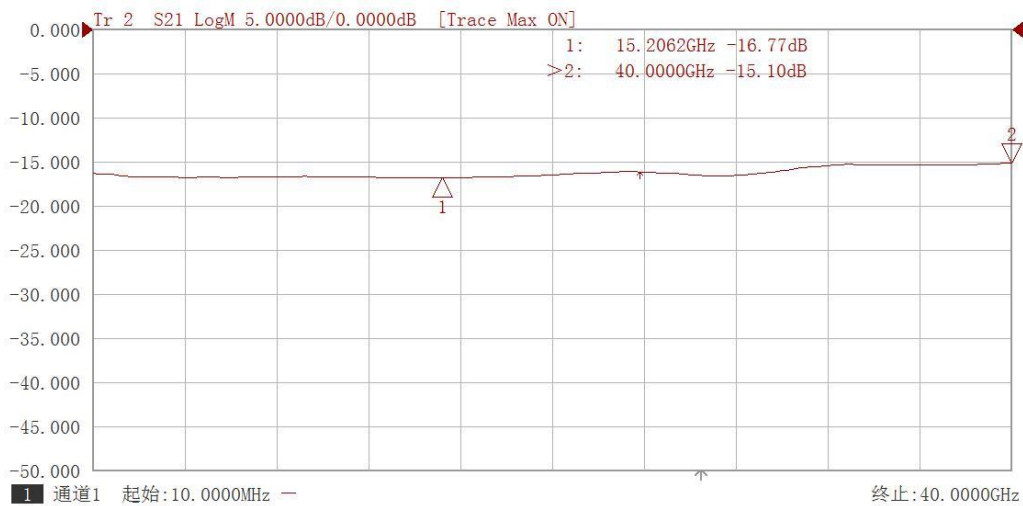


3. Test Curve

Insertion loss & Return Loss Curves



Coupling Curve



Directivity Curve

